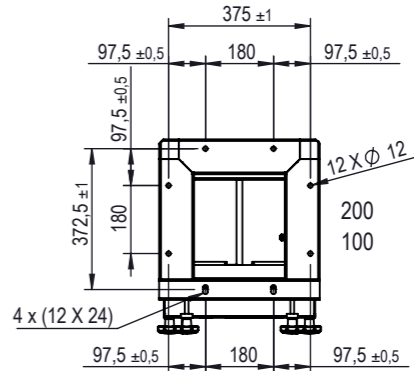
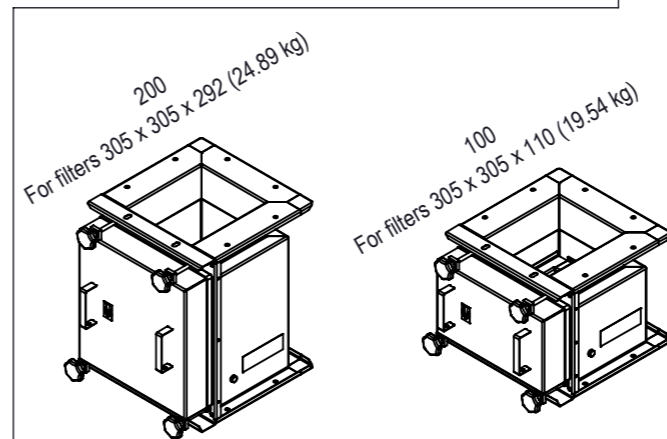
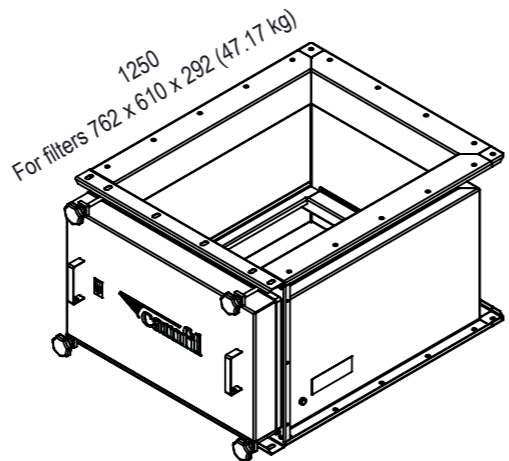
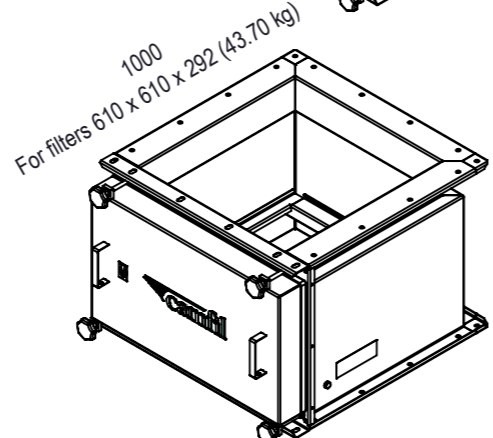
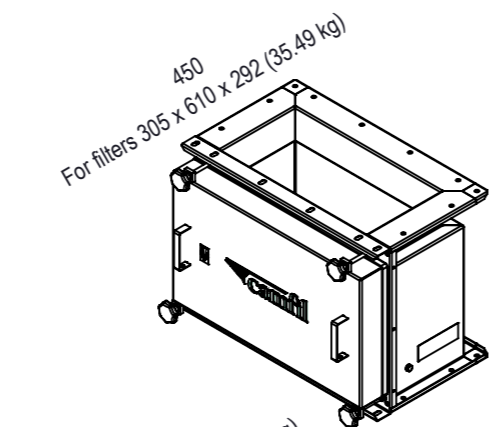
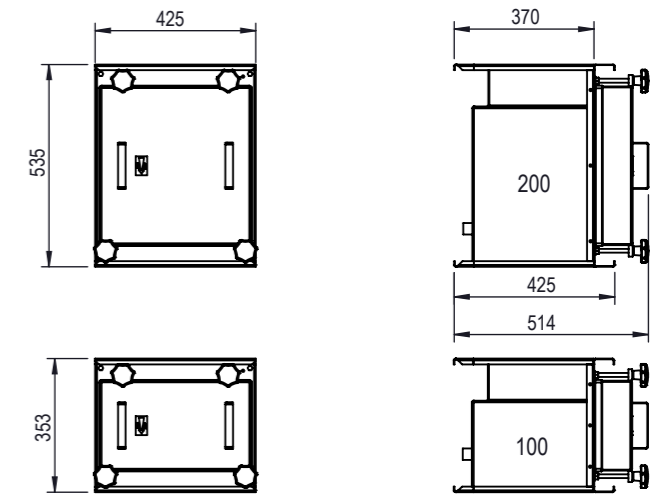
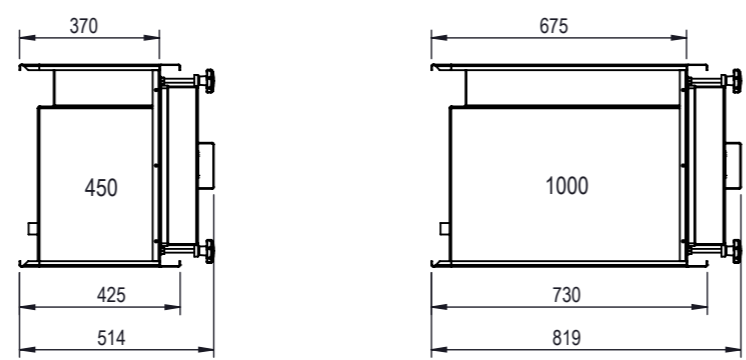
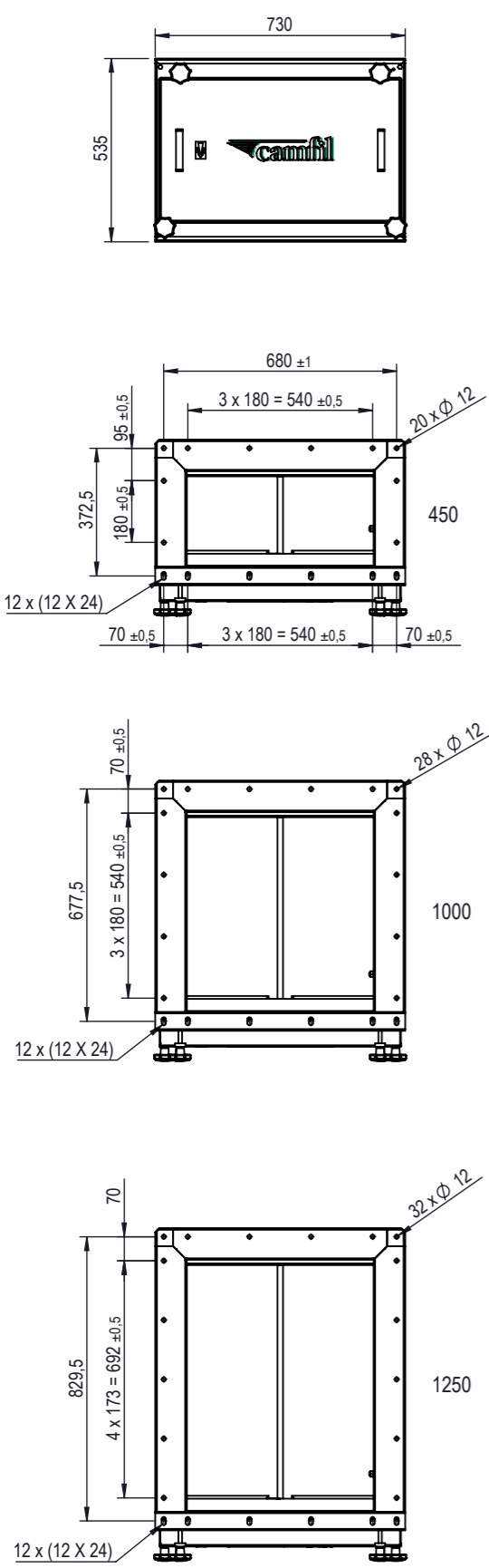


REV.	CHANGE	DATE	DESIGNED	APPROVED
H	ITEM NUMBERS CHANGED	19.08.2021	RIL	VPA

A
B
C
D
E
F

A
B
C
D
E
F



CAMSAFE FILTER															
CAMSAFE 2 STD 1F															
Version	100/3P3			200/3P3			450/3P6			1000/6P6			1250/7P6		
Size	100/3P3			200/3P3			450/3P6			1000/6P6			1250/7P6		
Drawing	5149-1150-000			5249-1150-000			5349-1150-000			5349-1100-000			5389-1100-000		
Material / Finish	Painted *	316L *	304L *	Painted *	316L *	304L *	Painted *	316L *	304L *	Painted *	316L *	304L *	Painted *	316L *	304L *
Item No.	1072937	1072589	1072474	1068221	1072577	1068204	1072824	1072479	1072352	1072865	1072520	1072405	1072906	1072560	1072446
CAMSAFE 2 STD +DIN															
Version	100/3P3			200/3P3			450/3P6			1000/6P6			1250/7P6		
Size	100/3P3			200/3P3			450/3P6			1000/6P6			1250/7P6		
Drawing	5149-1160-000			5249-1160-000			5349-1160-000			5349-1110-000			5389-1100-000		
Material / Finish	Painted *	316L *	304L *	Painted *	316L *	304L *	Painted *	316L *	304L *	Painted *	316L *	304L *	NOT AVAILABLE		
Item No.	1072938	1072590	1072475	1072926	1072578	1072463	1072825	1072480	1072363	1072866	1072521	1072406			
CAMSAFE 2 STD +EX															
Version	100/3P3			200/3P3			450/3P6			1000/6P6			1250/7P6		
Size	100/3P3			200/3P3			450/3P6			1000/6P6			1250/7P6		
Drawing	5179-1150-000			5279-1150-000			5379-1150-000			5379-1100-000			5389-1100-000		
Material / Finish	Painted *	316L *	304L *	Painted *	316L *	304L *	Painted *	316L *	304L *	Painted *	316L *	304L *	Painted *	316L *	304L *
Item No.	1072939	1072591	1072476	1072927	1072579	1072464	1072827	1072482	1072365	1072867	1072523	1072408	1072909	1072563	1072449
CAMSAFE 2 STD +W															
Version	100/3P3			200/3P3			450/3P6			1000/6P6			1250/7P6		
Size	100/3P3			200/3P3			450/3P6			1000/6P6			1250/7P6		
Drawing	NOT AVAILABLE			NOT AVAILABLE			5359-1150-000			5359-1100-000			5389-1100-000		
Material / Finish	NOT AVAILABLE			NOT AVAILABLE			Painted *	316L *	304L *	Painted *	316L *	304L *	Painted *	316L *	304L *
Item No.	NOT AVAILABLE			NOT AVAILABLE			1072826	1072481	1072364	1068218	1072522	1072407	1072908	1072562	1072448
CAMSAFE 2 STD +EX +W															
Version	100			200/3P3			450/3P6			1000/6P6			1250/7P6		
Size	100			200/3P3			450/3P6			1000/6P6			1250/7P6		
Drawing	NOT AVAILABLE			NOT AVAILABLE			5379-1155-000			5379-1105-000			5389-1105-000		
Material / Finish	NOT AVAILABLE			NOT AVAILABLE			Painted *	316L *	304L *	Painted *	316L *	304L *	Painted *	316L *	304L *
Item No.	NOT AVAILABLE			NOT AVAILABLE			1072831	1072486	1072369	1072871	1072527	1072412	1072912	1072566	1072452
CAMSAFE 2 STD +DIN +EX															
Version	100/3P3			200/3P3			450/3P6			1000/6P6			1250/7P6		
Size	100/3P3			200/3P3			450/3P6			1000/6P6			1250/7P6		
Drawing	5179-1160-000			5279-1160-000			5379-1160-000			5379-1110-000			5389-1110-000		
Material / Finish	Painted *	316L *	304L *	Painted *	316L *	304L *	Painted *	316L *	304L *	Painted *	316L *	304L *	NOT AVAILABLE		
Item No.	1072940	1072592	1072477	1072928	1072580	1072465	1072829	1072484	1072367	1072869	1072525	1072410			
CAMSAFE 2 STD +DIN +W															
Version	100/3P3			200/3P3			450/3P6			1000/6P6			1250/7P6		
Size	100/3P3			200/3P3			450/3P6			1000/6P6			1250/7P6		
Drawing	NOT AVAILABLE			NOT AVAILABLE			5359-1160-000			5359-1110-000			5389-1110-000		
Material / Finish	NOT AVAILABLE			NOT AVAILABLE			Painted *	316L *	304L *	Painted *	316L *	304L *	NOT AVAILABLE		
Item No.	NOT AVAILABLE			NOT AVAILABLE			1072828	1072486	1072366	1072868	1072524	1072409			
CAMSAFE 2 STD +EX +W															
Version	100/3P3			200/3P3			450/3P6			1000/6P6			1250/7P6		
Size	100/3P3			200/3P3			450/3P6			1000/6P6			1250/7P6		
Drawing	NOT AVAILABLE			NOT AVAILABLE			5359-1160-000			5359-1110-000			5389-1110-000		
Material / Finish	NOT AVAILABLE			NOT AVAILABLE			Painted *	316L *	304L *	Painted *	316L *	304L *	NOT AVAILABLE		
Item No.	NOT AVAILABLE			NOT AVAILABLE			1072828	1072486	1072366	1072868	1072524	1072409			
CAMSAFE 2 STD +EX +W +DIN															
Version	100/3P3			200/3P3			450/3P6			1000/6P6			1250/7P6		
Size	100/3P3			200/3P3			450/3P6			1000/6P6			1250/7P6		
Drawing	NOT AVAILABLE			NOT AVAILABLE			5359-1160-000			5359-1110-000			5389-1110-000		
Material / Finish	NOT AVAILABLE			NOT AVAILABLE			Painted *	316L *	304L *	Painted *	316L *	304L *	NOT AVAILABLE		
Item No.	NOT AVAILABLE			NOT AVAILABLE			1072828	1072486	1072366	1072868	1072524	1072409			
CAMSAFE 2 STD +EX +W +DIN +W															
Version	100/3P3			200/3P3			450/3P6			1000/6P6			1250/7P6		
Size	100/3P3			200/3P3			450/3P6			1000/6P6			1250/7P6		
Drawing	NOT AVAILABLE			NOT AVAILABLE			5359-1160-000			5359-1110-000			5389-1110-000		
Material / Finish	NOT AVAILABLE			NOT AVAILABLE			Painted *	316L *	304L *	Painted *	316L *	304L *	NOT AVAILABLE		
Item No.	NOT AVAILABLE			NOT AVAILABLE			1072828	1072486	1072366	1072868	1072524	1072409			
CAMSAFE 2 STD +EX +W +DIN +W +DIN															
Version	100/3P3			200/3P3			450/3P6			1000/6P6			1250/7P6		
Size	100/3P3			200/3P3			450/3P6			1000/6P6			1250/7P6		
Drawing	NOT AVAILABLE			NOT AVAILABLE			5359-1160-000			5359-1110-000			5389-1110-000		
Material / Finish	NOT AVAILABLE			NOT AVAILABLE			Painted *	316L *	304L *	Painted *	316L *	304L *	NOT AVAILABLE		
Item No.	NOT AVAILABLE			NOT AVAILABLE			1072828	1072486	1072366	1072868	1072524	1072409			

General tolerances ISO 2768 - vL unless otherwise specified	
DIMENSION	TOLERANCE
< 30	± 1
> 30 to 120	± 1,5
> 120 to 400	± 2,5
> 400 to 1000	± 4
> 1000 to 4000	± 6
> 4000	± 8
Break sharp angles 0,5 to 2	



DESCRIPTION			
CamSafe CS2 1F STD Scope			
PROJECT	LAST REVISION	WEIGHT	
-	19.08.2021	-	
DRAWING REF.	SHEET	SIZE	SCALE
5349-0000-101	1/1	A3	1:20

NB: The copyright of this drawing remains with Camfil. Contents must not be used, copied or disclosed to third parties without prior written consent. All rights reserved.